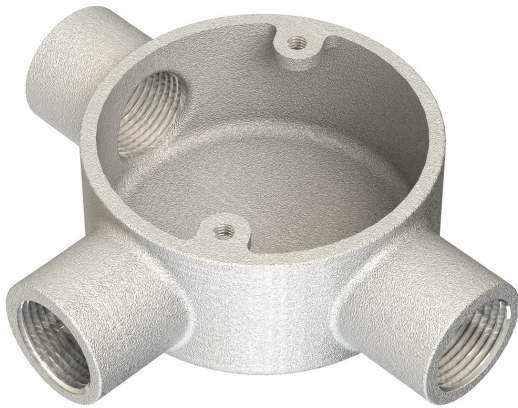


PRODUCT CODE: MB24G
MALLEABLE CONDUIT BOX



DESCRIPTION

32mm Malleable Through Conduit Box

FINISH

Hot Dipped Galvanised

MATERIAL

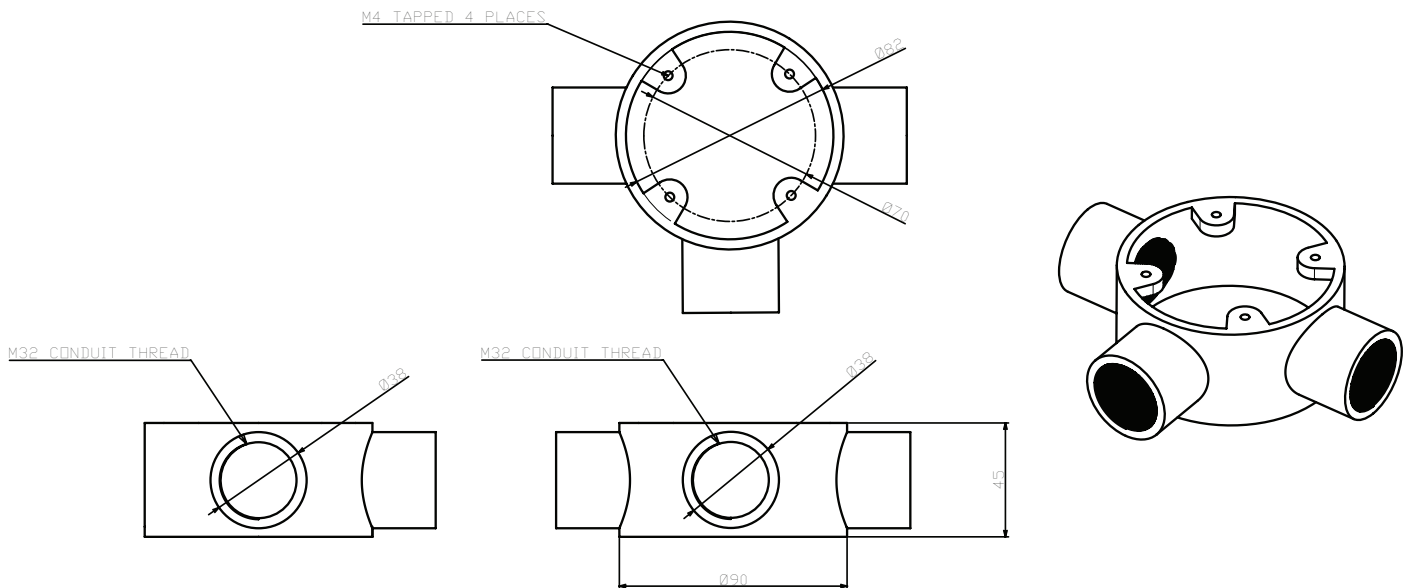
Malleable Iron

PACKAGING

Packed in qty 1

ADDITIONAL NOTES

Conforms to BS EN61386-1:2008
Compliant to LU Standard 1-085 (for use on surface & sub-surface locations)



⊕ Values are nominal and with a general tolerance +5% unless otherwise specified